

Cleaning DF

Range of high-efficiency
filter units



Cleaning DF

- Cleaning DF 1
- Cleaning DF 2



Innovative Air Solutions
For a cleaner future.

Design

Mobile filter unit with horizontal cartridges, manually cleaned, with integrated centrifugal fan suitable for extraction and filtration of welding fumes.

Cleaning DF

5 Models

Motor kW 1,1-P2-B5-V230/400-HZ50

PRA fan model

Cartridge filter
Ø325/4PS1-H400-M CEL-270 g/m²

High-efficiency cartridges provide dust filtration

1° Rear bin

Heavy dust collection bin



2° Front Bin

Fine dust collection bin

Highlights

- Equipped with Dynaflex or Evolution No Smoke **self-supporting arm** as standard.
- **High-efficiency** cartridges.
- Manual cleaning **easy maintenance** due to horizontal cartridges.
- **High extraction capacity.**
- **Low** noise level.
- **Plug & Play** solution, no installation required.
- **"Down Flow Concept"**.

Applications



Welding fumes

Filtration technology



IFA-BGIA: Institute for Occupational Safety and Health (Bonn - Germany)
 AGW: Occupational Exposure Limit Value (Arbeitsplatzgrenzwerte)

DESCRIPTION AND PURPOSE

The purpose of the IFA-BGIA institute is to ensure the safety of workers in the workplace. Filter materials are analysed by establishing use classes L, M, H. BIA has also established an exposure limit value (AGW) above which worker safety is no longer guaranteed. The exposure limit value for a pollutant compound represents the concentration in the air that a person can breathe during a limited period of 15 minutes without immediate toxic effects. The IFA-BGIA test is carried out using the following parameters:

- Passage velocity of 0.056 m/s
- Quartz dust concentration $200 \pm 20 \text{ mg/m}^3$
- Variable particle size between 0.2 and 2 microns

CLASS OF USE	CONCENTRATION	MAX AUTHORISED RELEASED
M	Filtering out dust with AGW values $\geq 0,1 \text{ mg/m}^3$	>99,9 %

Easy access, quick and simple maintenance







Activated carbon cartridge

It has the function of absorbing odours from the extracted fumes by exploiting the porous and absorption characteristics of activated charcoal.

The horizontal arrangement of the cartridges allows easy access and quick maintenance of the filter section.

Filter Media

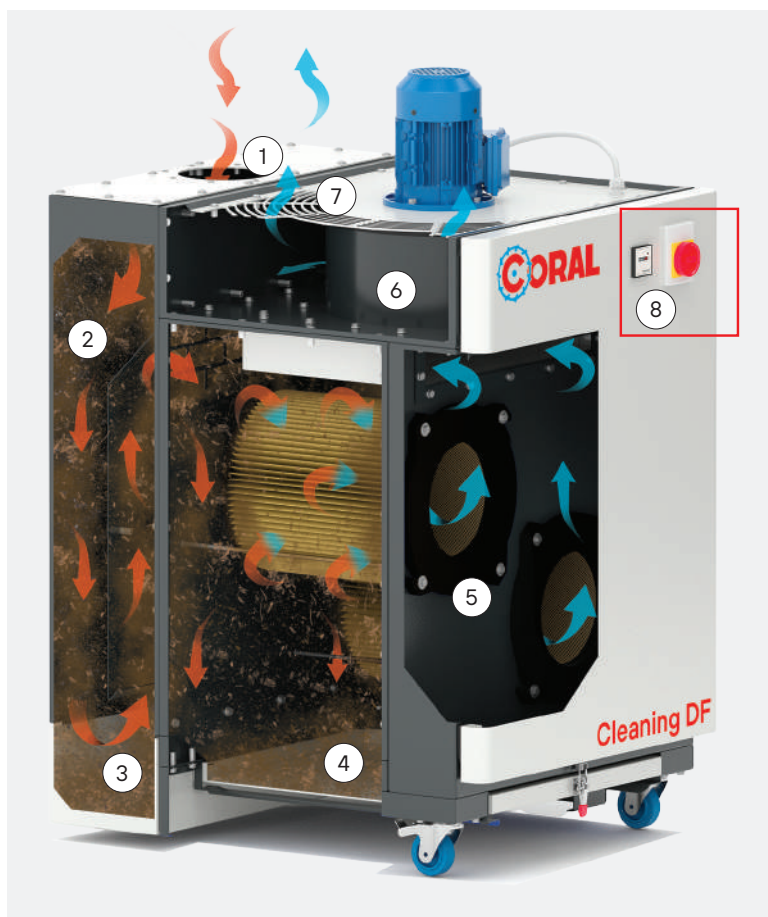
MEDIA	MATERIALS	m ²	g/m ²	STANDARD	OPTIONAL
M CEL	CELLULOSE 6066	12	213	■	
M-PES+PTFE/Membrane	POLYESTER -TEFLON MEMBRANE	7	290		■
M-PES+PTFE/Membrane-H	POLYESTER/TEFLON MEMBRANE/ FABRIC WITH H13 FILTRATION EFFICIENCY	7	280		■
Cartridges with activated charcoal to be inserted to the cellulose cartridges M-CEL			2,5 Kg		■
Cartridge with activated carbon and polyester prefilter COL 500A to be inserted in place of the M CEL cartridge			10 Kg		■

STANDARD	OPTIONAL	OPTIONAL	OPTIONAL
DF 1 DF 2	DF 1 DF 2	DF 1 DF 2	DF 1 DF 2
			
M CEL	M-PES+PTFE/Membrane M-PES+PTFE/Membrane-H	2.5 KG cellulose cartridge with activated carbons	Activated carbon cartridge to be inserted in place of the cellulose cartridge. Carbon weight: 10 kgs

Principle of operation

The Cleaning DF filter unit consists of a pre-chamber, where most of the fumes are separated and deposited in the first collection bin; the remaining particles are filtered by the high-efficiency M-class cartridge filters before being returned to the environment. The finest filtered dust is deposited in the second collection bin. The air thus filtered passes through the high-efficiency fan, located on top of the unit, and is exhausted through a grille, located on the upper wall of the plenum, guaranteeing a high extraction capacity and low noise level.

Cleaning DF



- ① Dusty air inlet
- ② Calming chamber
- ③ 1st Collection Bin
- ④ 2nd Collection Bin
- ⑤ Filtering cartridges
- ⑥ Fan
- ⑦ Filtered air outlet
- ⑧ Hour counter
run/stop switch
pentapolar socket



Product range



Cleaning DF 1

The carted filter is equipped with 1 horizontal cartridge filter for extraction and filtration of welding fumes.

Cartridges (nr)	Power (kW)
1	0,55
1	0,75



Cleaning DF 2

The carted filter is equipped with 2 horizontal cartridges for extraction and filtration of welding fumes.

Cartridges (nr)	Power (kW)
2	1,1
2	2,2

Technical features

Technical features		Model Cleaning DF			
		DF 1 0,55	DF 1 0,75	DF 2 1,1	DF 2 2,2
Power	kW	0,55	0,75	1,1	2,2
Nominal air flow	m ³ /h	1400	1450	1880	2280
Air flow capacity at arm Ø160	m ³ /h	1000	1100	1550	2x 1100
Number of Arms	mm 3 mt	1 x Ø160	1 x Ø160	1 x Ø160	2x Ø160
Number of cartridges	Ø325mm H 400mm	1	1	2	2
Filtering Surface	m ²	12	12	24	24
Cartridge classification		CELLULOSE			
Pneumatic cleaning		NO	NO	NO	NO
Bin storage capacity (front)	lt	9	9	12	12
Bin storage capacity (rear)	lt	15	15	28	28
R.P.M.		2845	2845	2845	2845
STD power supply	V	230/400	230/400	230/400	230/400
	Hz	50	50	50	50
Noise level	dB	74	75	74	74,5
Noise level with soundproofing plenum optional	dB	70	70,5	69	70
Total weight	kg	105	110	145	160

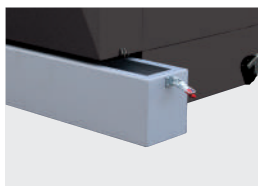
Standard Components

DF 1



Rear collection bin

DF 2



Rear collection bin

DF 2



Mod. DF 2 2.2 with 2 Evolution No Smoke \varnothing 160 3-metre suction arms

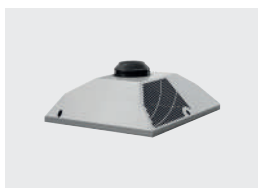
DF 1 | DF 2



Front collection bin

Options

DF 1 | DF 2



Painted soundproofing plenum

DF 1 | DF 2



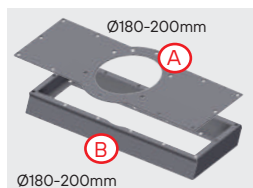
PLENUM with HEPA absolute filter H13- H14

DF 1 | DF 2



Plenum with activated carbons

DF 2



A Inlet plate for arm without soundproofing plenum.
A+B Plate plus inlet fitting for arm with soundproofing plenum.

DF 1 | DF 2



Plastic winghood with light kit

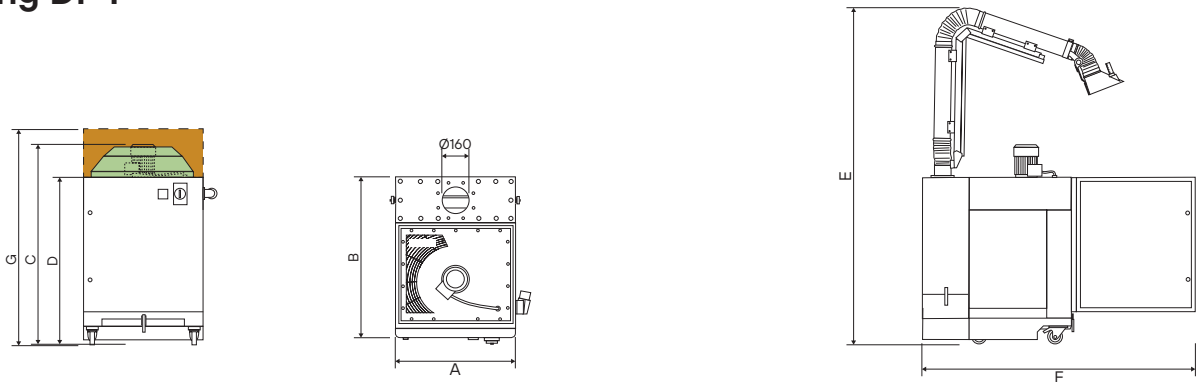
DF 1 | DF 2



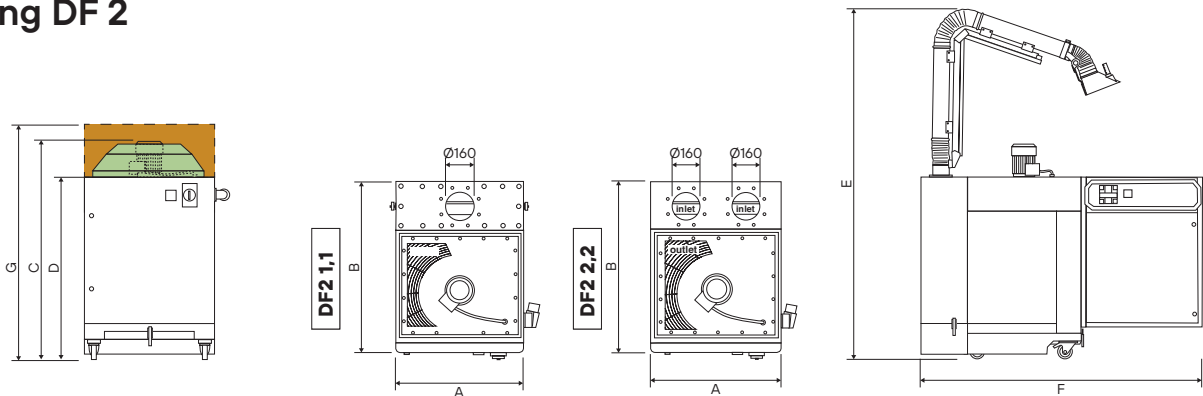
Differential pressure gauge

Overall dimensions

Cleaning DF 1



Cleaning DF 2



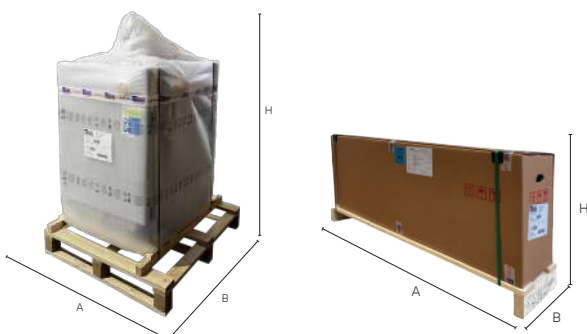
■ Plenum box with HEPA absolute filter (optional)

■ Painted soundproofing plenum (optional)

MODEL	DIMENSIONS (mm)						
	A	B	C	D	E	F	G
Cleaning DF 1 0,55	675	905	1129	939	2360	1530	1319
Cleaning DF 1 0,75	675	905	1162	939	2360	1530	1319

MODEL	DIMENSIONS (mm)						
	A	B	C	D	E	F	G
Cleaning DF 2 1,1	750	955	1380	1158	2579	1654	1608
Cleaning DF 2 2,2	750	955	1420	1158	2579	1654	1608

Packaging information



MODEL	DIMENSIONS (mm)	WEIGHT (kg)
	AxBxH	
Cleaning DF 1 0,55	1100 x 900 x 1300	130
Cleaning DF 1 0,75	1100 x 900 x 1300	130
Cleaning DF 2 1,1	1100 x 1000 x 1600	180
Cleaning DF 2 2,2	1100 x 1000 x 1600	180
Evolution Arm No Smoke Ø160 from 3 metres	1670 x 370 x 680	35

All images and values on this catalogue are indicative and can be subject to modification and improvements. CORAL reserves the right to change them without previous advice.



Made in Coral

Coral manufactures 100% of all the components that are part of an industrial extraction system within their facilities in Volpiano, just outside of Turin. The quality of materials that we use and our industry experience guarantee a production of high level in everything we make.

ITALIA

MILANO	p: +39 02 95.30.1003
TORINO	p: +39 011 99.80.141
VICENZA	p: +39 0444 34.93.98
BOLOGNA	p: +39 051 69.26.335

FRANCE

LYON	p: +33 4 74 944 562
PARIS	p: +33 1 60 868 069
POITIERS	p: +33 5 49 379 596

GERMANY

LEVERKUSEN	p: +49.214.312.663.20
------------	-----------------------

UNITED KINGDOM

LITTLEBOROUGH ROCHDALE	p: +44 1 706 377344
------------------------	---------------------

MIDDLE EAST

DUBAI UAE	p: +971 56 1028130
-----------	--------------------

INDIA

BANGALORE	p: +91 734 888 2333 - 2777
-----------	----------------------------

SINGAPORE

SINGAPORE	p: +65 88338991
-----------	-----------------

U.S.A.

KYLE, TX	p: +1 480 796 5352
----------	--------------------



CORAL s.p.a.

Corso Europa, 597 10088

Volpiano (Torino) ITALY

p: +39 011 98.22.000

e: info@coral.eu

coral.eu



For a cleaner future.