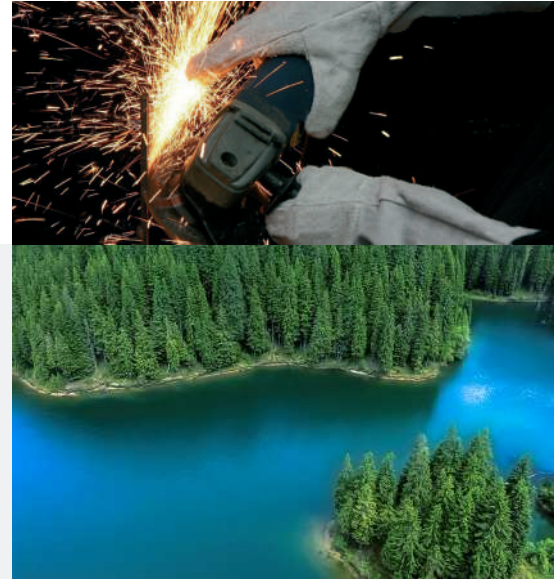


Grindex DF Jet | DF

Range of filter units for grinding dust



Grindex DF

Grindex **DF 1 JET - 2 JET**
Grindex **DF 1 - 2**

Design

The function of the filter is to extract welding fumes and metal grinding dust produced by machining in the mechanical industry. The pollutants are captured and conveyed to the filter by means of rigid or flexible piping connected to a hood.

Grindex DF

6 Models

Optional TRIPLEX plenum

3-hole air inlet plenum Ø160 painted

Optional soundproofing plenum

Painted

1st Rear bin

Stainless steel water container for spark extinguisher with level control



Pneumatic cleaning system

With compressed air (DF Jet version)

Cartridge filter
Ø325 H 400mm
M-PES 270 g/m²

2nd Front Bin

Fine dust collection bin

Highlights

- Minimum footprint.
- Very **quiet**.
- Suitable for glowing particles, thanks to the **spark extinguishing system**.
- It reduces fire hazard due to **water tray**.
- Available in **DF Jet variant**, with automatic cleaning system.
- **Easy maintenance** due to horizontally positioned cartridges.
- It allows connection of one or two suction arms.
- **"Plug & Play"** solution, no installation required.

Applications



Welding fumes



Powders



Grinding

Filtration technology



Grindex DF JET



Grindex DF

IFA-BGIA: Institute for Working Safety and Health (Bonn - Germany)
AGW: Working Exposure Limit Value (Arbeitsplatzgrenzwerte)

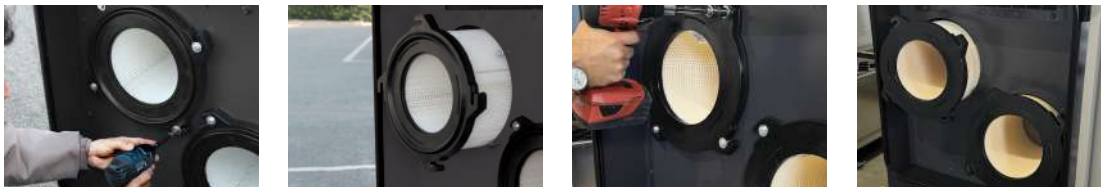
DESCRIPTION AND PURPOSE

The purpose of the IFA-BGIA institute is to ensure the safety of workers in the workplace. Filter materials are analysed by establishing the use of classes L, M, H. BIA has also established an exposure limit value (AGW) above which worker safety is no longer guaranteed. The exposure limit value to a pollutant is the concentration in the air that a person can breathe during a limited period of 15 minutes, without immediate toxic effects. The IFA-BGIA test is carried out using the following parameters:

- Passage velocity of 0.056 m/s
- Quartz dust concentration $200 \pm 20 \text{ mg/m}^3$
- Variable particle size between 0.2 and 2 microns

| CLASS OF USE | CONCENTRATION | MAXIMUM AUTHORISED RELEASE |
|--------------|--|----------------------------|
| M | Filtering out dust with AGW values $\geq 0,1 \text{ mg/m}^3$ | >99,9% |

Easy access, quick and simple maintenance



The horizontal arrangement of the cartridges allows easy access and quick maintenance of the filter section.

Filter Media

■ Grindex DF JET

■ Grindex DF

| MEDIA | MATERIALS | m ² | g/m ² | STANDARD | OPTIONAL |
|--------------------------|---------------------------------------|----------------|------------------|----------|----------|
| M PES | POLYESTER | 7 | 270 | ■ | |
| M-CEL | CELLULOSE | 12 | 213 | ■ | |
| M PES TF | POLYESTER / PTFE COATING | 7 | 270 | | ■ |
| M PES/ FR | POLYESTER / FLAME RETARDANT | 7 | 270 | | ■ ■ |
| M-PES/AX/EXAM ACCREDITED | POLYESTER/ALUMINUM COATED /ANTISTATIC | 7 | 270 | | ■ ■ |



M PES



M-CEL



M PES TF



M PES/ FR



M PES/AX/EXAM ACCREDITED

Principle of operation

The air extracted through the pipe is conveyed into the settling chamber. The heaviest dust falls into the water tray, which has the function of extinguishing any incandescent sparks. The dusty air passes through the cartridge filter, which retains the dust. In the 'DF Jet' versions: the filter cleaning operation takes place with a jet of compressed air and the dust is removed. The clean air is exhausted upwards through the fan and exits through the grille at the top of the machine.

Grindex DF JET

Grindex DF



- ① Dusty air inlet
- ② Pre-chamber
- ②a Spark trap
- ③ Stainless steel water container for spark extinguisher with level control
- ④ Front collection bin
- ⑤ Filter cartridges
- ⑥ Fan
- ⑦ Filtered air outlet
- ⑧ Hour counter
Run/stop switch
Pentapolar socket
- ⑨ Compressed air tank

Grindex DF JET | Grindex DF



Production range



Grindex DF JET 1 | DF JET 2

Very compact, low noise extraction filter for suction of dry grinding and tool sharpening dust, including incandescent particles. Automatic cartridge cleaning by compressed air system.

| Cartridges (nr) | Power (kW) |
|-----------------|------------|
| 1 | 0,75 |
| 2 | 1,1 |
| 2 | 2,2 |



Grindex DF 1 | DF 2

Very compact, low noise extraction filter for suction of dry grinding and tool sharpening dust, including incandescent particles.

| Cartridges (nr) | Power (kW) |
|-----------------|------------|
| 1 | 0,75 |
| 2 | 1,1 |
| 2 | 2,2 |

Technical features

| Technical features | | Model Grindex DF JET DF | | | | | |
|---|---------------------|---------------------------|-----------|--------------|-----------|--------------|-----------|
| | | DF JET 1 0,75 | DF 1 0,75 | DF JET 2 1,1 | DF 2 1,1 | DF JET 2 2,2 | DF 2 2,2 |
| Power | kW | 0,75 | | 1,1 | | 2,2 | |
| Nominal Air Flow | m ³ /h | 1450 | | 1880 | | 2280 | |
| Number of cartridges | Ø325 mm H 400 mm | 1 | | 2 | | 2 | |
| Filtering Surface | m ² | 8 | 12 | 2 x 8 | 2 x 12 | 2 x 8 | 2 x 12 |
| Classification of cartridges | | POLYESTER | CELLULOSE | POLYESTER | CELLULOSE | POLYESTER | CELLULOSE |
| Pneumatic cleaning | | YES | NO | YES | NO | YES | NO |
| Bin storage capacity front | lt | 12 | | 20 | | 20 | |
| Bin storage capacity rear | lt | 15 | | 28 | | 28 | |
| R.P.M. | | 2850 | | 2846 | | 2845 | |
| Fan power supply | V | 400 | | 400 | | 400 | |
| | Hz | 50 | | 50 | | 50 | |
| Noise level | dB | 72 | | 74 | | 74,5 | |
| Noise level with soundproofing (optional) | dB | 65 | | 70 | | 71 | |
| weight | kg | 125 | 115 | 160 | 150 | 175 | 165 |

Standard Components

DF 1 JET|DF 2 JET|DF 1|DF 2



Stainless steel water container for spark extinguisher with level control

DF 1 JET|DF 2 JET|DF 1|DF 2



Thermal ON/OFF switch

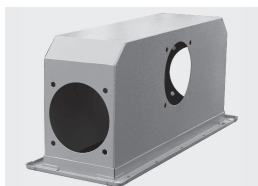
DF JET 1 |DF JET 2



Automatic compressed air cleaning system

Options

DF 1 JET|DF 2 JET|DF 1|DF 2



TRIPLEX air inlet plenum (3 holes ø160)

DF 1 JET|DF 2 JET|DF 1|DF 2



Painted soundproofing plenum

DF 1 JET|DF 2 JET|DF 1|DF 2



Painted soundproofing plenum with activated carbons

DF 1 JET|DF 2 JET|DF 1|DF 2



Painted soundproofing plenum with HEPA absolute filter H 13 (optional H14)

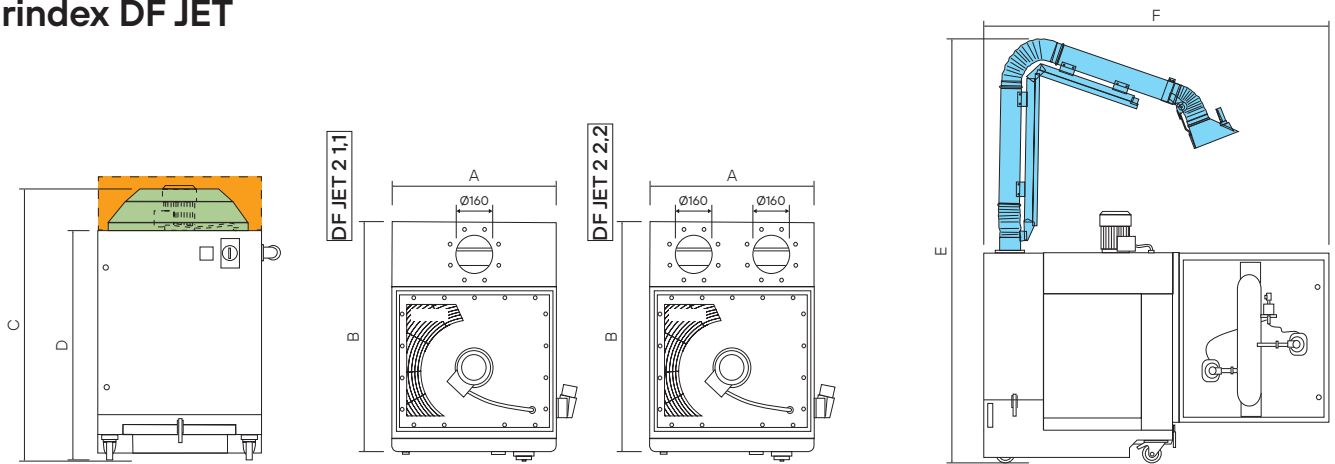
DF 1 JET|DF 2 JET|DF 1|DF 2



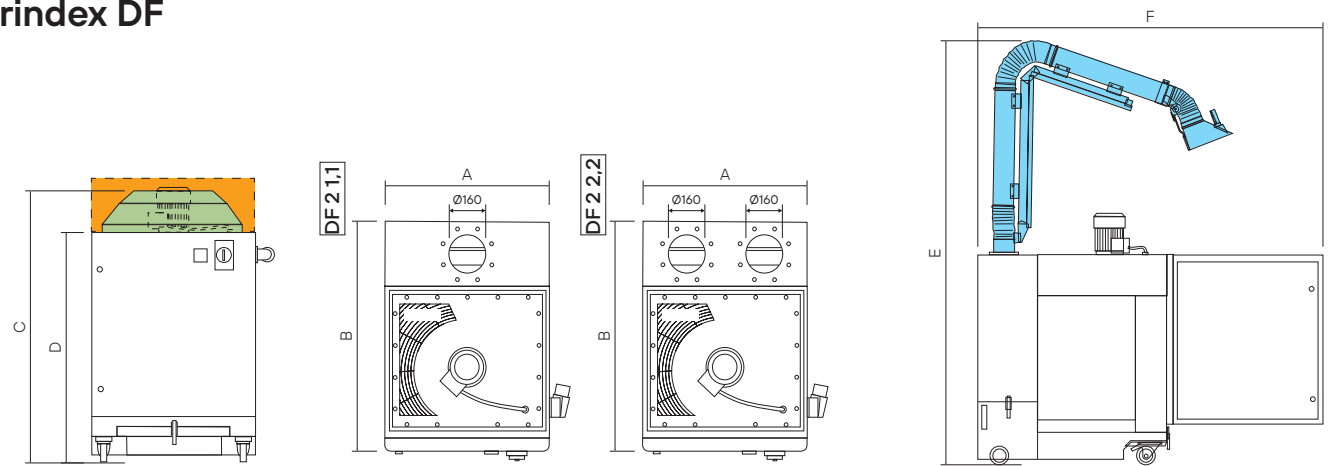
Evolution No Smoke

Overall dimensions

Grindex DF JET



Grindex DF



- Soundproofing plenum (optional)
- Plenum box with HEPA absolute filter (optional)
- Evolution Arm No Smoke Ø160 (optional)

| MODEL | DIMENSIONS (mm) | | | | | |
|-----------------------------------|-----------------|-----|------|------|------|------|
| | A | B | C | D | E | F |
| Grindex DF JET 1 0,75 DF 1 0,75 | 675 | 905 | 1160 | 939 | 2360 | 1580 |
| Grindex DF JET 2 1,1 DF 2 1,1 | 750 | 955 | 1382 | 1158 | 2579 | 1705 |
| Grindex DF JET 2 2,2 DF 2 2,2 | 750 | 955 | 1422 | 1158 | 2579 | 1705 |

Packaging information



| MODEL | DIMENSIONS (mm) AxBxH | WEIGHT (kg) |
|-----------------------------------|--------------------------|-------------|
| Grindex DF JET 1 0,75 DF 1 0,75 | 820 x 1030 x 1400 | 130 |
| Grindex DF JET 2 1,1 DF 2 1,1 | 870 x 1030 x 1550 | 170 |
| Grindex DF JET 2 2,2 DF 2 2,2 | 870 x 1030 x 1550 | 170 |

All images and values on this catalogue are indicative and can be subject to modification and improvements. CORAL reserves the right to change them without previous advice.



Made in Coral

Coral manufactures 100% of all the components that are part of an industrial extraction system within their facilities in Volpiano, just outside of Turin. The quality of materials that we use and our industry experience guarantee a production of high level in everything we make.

ITALIA

| | |
|---------|----------------------|
| MILANO | p: +39 02 95.30.1003 |
| TORINO | p: +39 011 99.80.141 |
| VICENZA | p: +39 0444 34.93.98 |
| BOLOGNA | p: +39 051 69.26.335 |

FRANCE

| | |
|----------|---------------------|
| LYON | p: +33 4 74 944 562 |
| PARIS | p: +33 1 60 868 069 |
| POITIERS | p: +33 5 49 379 596 |

GERMANY

| | |
|------------|-----------------------|
| LEVERKUSEN | p: +49.214.312.663.20 |
|------------|-----------------------|

UNITED KINGDOM

| | |
|------------------------|--------------------|
| LITTLEBOROUGH ROCHDALE | p: +44 1706 377344 |
|------------------------|--------------------|

MIDDLE EAST

| | |
|-----------|--------------------|
| DUBAI UAE | p: +971 56 1028130 |
|-----------|--------------------|

INDIA

| | |
|-----------|----------------------------|
| BANGALORE | p: +91 734 888 2333 - 2777 |
|-----------|----------------------------|

SINGAPORE

| | |
|-----------|-----------------|
| SINGAPORE | p: +65 88338991 |
|-----------|-----------------|

U.S.A.

| | |
|----------|--------------------|
| KYLE, TX | p: +1 480 796 5352 |
|----------|--------------------|



CORAL s.p.a.

Corso Europa, 597 10088

Volpiano (Torino) ITALY

p: +39 011 98.22.000

e: info@coral.eu

coral.eu



For a cleaner future.